



GS690CH-EX

Cordless Framing Nailer

OPERATING & MAINTENANCE MANUAL



⚠ WARNING:

BEFORE USING THIS TOOL, STUDY THIS MANUAL TO ENSURE SAFETY WARNING AND INSTRUCTIONS.

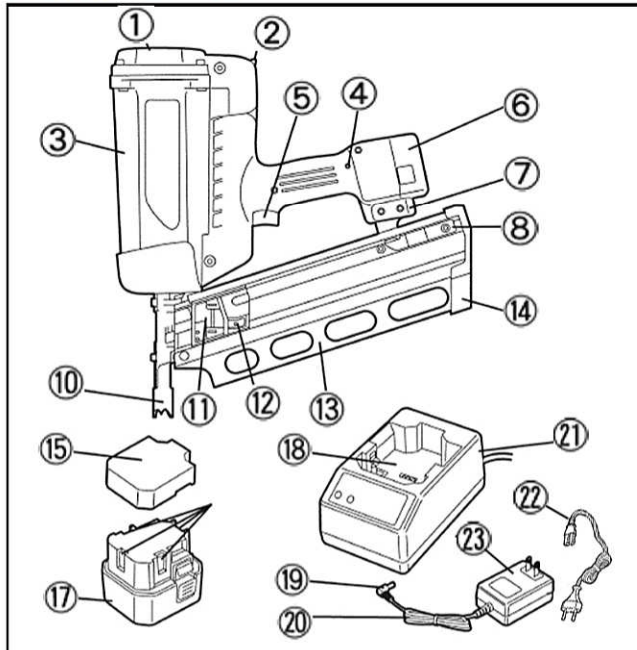
KEEP THESE INSTRUCTIONS WITH THE TOOL FOR FUTURE REFERENCE.

February 2013

GS690CH-EX

SPECIFICATIONS

1. NAME OF PARTS



- | | |
|--------------------------------|--------------------------|
| ① Air Filter Cover | ⑫ Pusher |
| ② Fuel Cover | ⑬ Magazine |
| ③ Body | ⑭ Tail Cover |
| ④ LED | ⑮ Pack Cap |
| ⑤ Trigger | ⑯ Terminal Block |
| ⑥ Battery | ⑰ Battery (JP606H) |
| ⑦ Hook | ⑱ Battery Setting Hollow |
| ⑧ Nail Stopper | ⑲ Jack |
| ⑨ Adjustment Dial (Nail Depth) | ⑳ Power Cord |
| ⑩ Contact Arm | ㉑ Charger (JC610M) |
| ⑪ Pusher Holder | ㉒ Power Plug NZ |
| | ㉓ DC Adapter |

NOTE: The triangle symbol marked as “▽” following its tool serial number indicates that safety yoke is equipped with this tool.

2. TOOL SPECIFICATIONS

PRODUCT NO.	GS690CH-EX
HEIGHT	15-3/8" (391 mm)
WIDTH	4-3/8" (110 mm)
LENGTH	13-3/8" (340mm)
WEIGHT	7.8 lbs. (3.5 kg) (including Fuel Cell and Battery)
LOADING CAPACITY	40 nails (1 strip)
BATTERY	Battery JP606H for MAX Cordless Fastening System
BATTERY CAPACITY	6V DC, 1.5 Ah
CHARGER	Charger JC610M for MAX gas nailer (AC adapter included)
POWER SOURCE	100-240V AC, 50 or 60 Hz
POWER CONSUMPTION (Rated output)	8VA (10V 800mA)
CHARGING TIME	150 minutes at maximum
ACCESSORIES	Carrying case, Battery, Charger

3. FASTENER SPECIFICATIONS

PRODUCT NO.	GS690CH-EX
NAIL LENGTH	2" to 3-1/2" (50 to 90 mm)
SHANK DIAMETER	.113" to .131" (2.9 to 3.3 mm)
SHANK TYPE	Smooth, Ring, Screw
HEAD DIAMETER	.256" to .303" (6.5 to 7.7 mm)
COLLATION ANGLE	34 degree
HEAD	Clipped head

4. TECHNICAL DATA

① NOISE

A-weighted single-event ----- LWA, 1s, d 105.4 dB
sound power level

A-weighted single-event ----- LpA, 1s, d 98.8 dB
emission sound pressure
level at work station

These values are determined and documented in accordance to EN12549 : 1999.

② VIBRATION

Vibration characteristic value = 4.46 m/s²

These values are determined and documented in accordance to ISO 8662-11.

This value is a tool-related characteristic value and does not represent the influence to the hand-arm-system when using the tool. An influence to the hand-arm-system when using the tool will for example depend on the gripping force, the contact pressure force, the working direction, the workpiece, the workpiece support.

GS690CH-EX

HOW TO USE THE BATTERY AND THE CHARGER

PROPER USE OF BATTERY

① Fully charge and use up the Battery.

If you repeat charging the Battery while stored electricity still remains more than half the capacity, the number of nails drivable by each charging could decrease dramatically, shortening the life of the Battery. It is recommended to use it until the LED of the tool has been illuminated in red, indicating that the Battery running out of electricity.

② Use two Batterys alternately.

To ensure the longer life of the Battery, it is recommended to use two of them alternately, one in use while the other is charging preparing a spare one.

CAUTION:

● Do not use the out-of-life Battery.

Use of the out-of-life Battery leads to breakdown of the tool body, and charging it causes the charger to go wrong.

Recycling the Ni-MH Battery

The Battery for the tool uses Ni-MH batteries which are a precious recyclable resource. Once the Battery runs out of life, take it to your nearest distributor without disposing of it.

WARNING:

● In order to prevent short-circuiting, be sure to cover the terminal block (metal section) of the Battery with the Pack Cap (wind the insulating tape) for recycling.

<Battery cells in Battery Pack>

- Nominal voltage: 1.2 V/piece
- Quantity used in 1 pack: 5 pieces

HOW TO USE THE CHARGER

The special purpose charger JC610M has the LEDs (green, red) which indicate the status of the charger and Battery.

	Green LED	Red LED	Status	Description
1.	○ ON	● OFF	Power-on	The charger has been plugged in. (Power-on status: Battery unset)
2.	● OFF	○ ON	Charging	The Battery is being charged.
3.	○ ON	● OFF	Charge Completed	The Battery has been completed charged.
4.	Blinking	Blinking	High temperature alarm	The Battery is hot. (Remove it from the Charger and cool it down for a while before charging.)
5.	○ ON	○ ON	Battery alarm	The Battery is defective. (Replace it with a new one)
6.	Blinking	○ ON	Battery high temperature alarm	The Battery is defective and hot. (Replace it with a new one.)

Troubles of Charger and Battery

The following cases are considered to be the troubles. Replace the charger and Battery with new ones.

- The green LED is not turned on if the power plug of the charger is plugged into a 100-240 V AC (for household use) plug socket. (With the Battery unset)
 - * Check with another electric appliance to see whether electricity is available at the plug socket.
- Neither green nor red LED is turned on or blinks if the Battery is set in the Charger.
- The green LED is not turned on 150 minutes after the red one has been turned on.
- The red LED is not turned on if the Battery is set in the charger.

Preventing the Battery Pack from becoming inactive

In the following cases the Battery Pack must be charged for 12 HOURS to reach top performance:

- Upon purchasing the tool.
- When the tool has not been used for 1 month or longer.
- When it is clear that you can drive less nails even when fully charged.

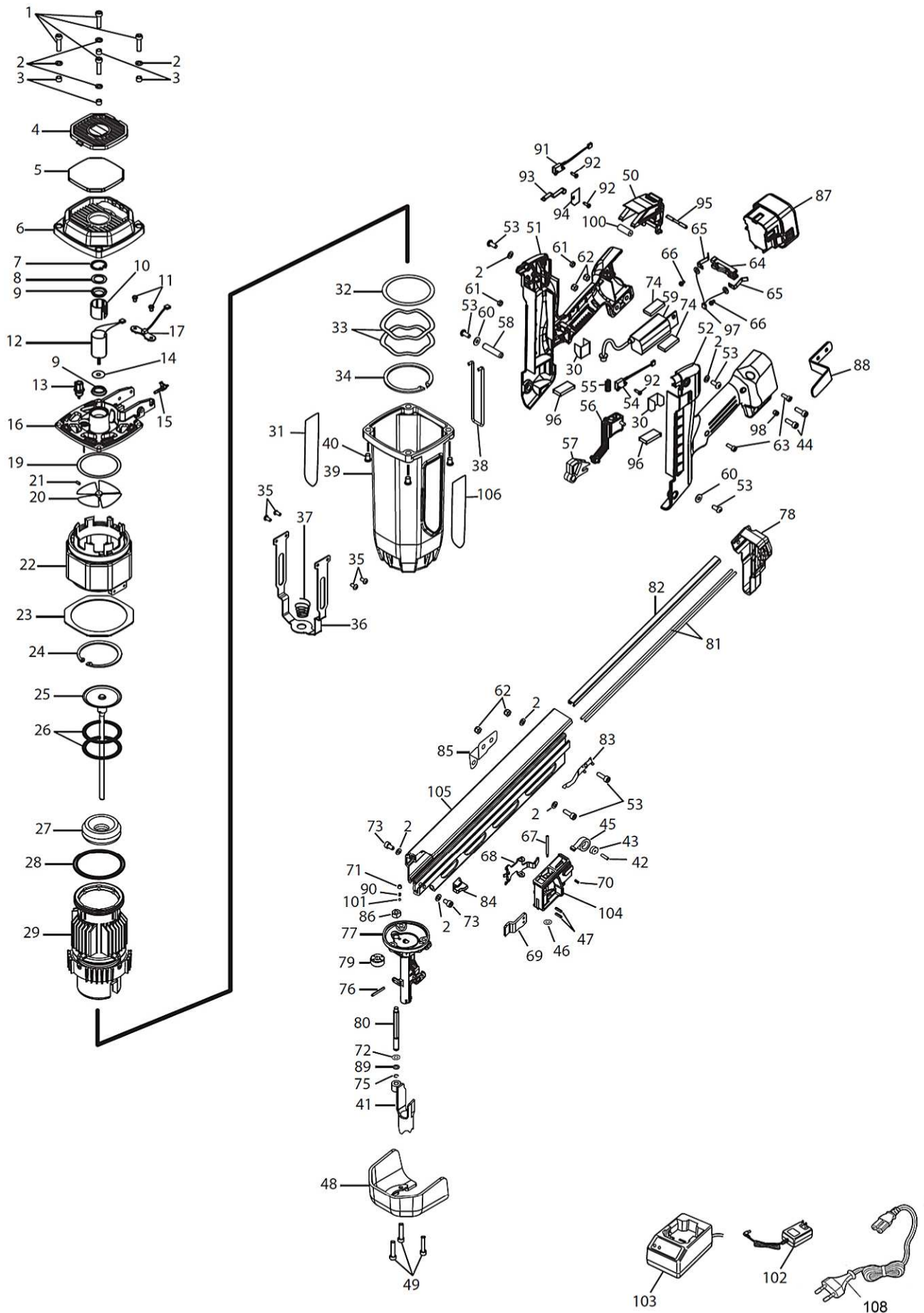
After the Charge Complete lamp has been turned on, leave the Battery set in the Charger for about another 12 hours.

CAUTION:

- After completing your work or when the tool is not used, be sure to remove the Battery Pack from the tool to store it. (Remove the Fuel Cell and nails as well)
If it is left connected, the electric power will be consumed in the standby state.

GS690CH-EX

PARTS DIAGRAM



GS690CH-EX

PARTS LIST

ITEM No.	PART NO.	ENGLISH
1	BB40401	SCREW M5x22
2	EE31121	PLANE WASHER
3	FF51520	HOLLOW PIN
4	GN10002	AIR FILTER COVER
5	GN10003	AIR FILTER
6	GN10001	CYLINDER CAP
7	JJ22409	RETAINING RING C22
8	EE39719	PLANE WASHER
9	GN10448	MOTOR MOUNT
10	GN10449	MOTOR SLEEVE
11	AA01701	SCREW M4x8
12	GN70098	MOTOR UNIT
13	GN80036	PLUG
14	GN10026	WASHER
15	GN10442	NOZZLE
16	GN10465	CYLINDER HEAD
17	GN70009	CONNECTION BOARD UNIT
19	HH14165	O-RING
20	GN70001	FAN UNIT
21	AA71406	SCREW M4x4
22	GN10463	HOUSING
23	GN10456	AIR DAM
24	GN10018	RETAINING RING
25	GN70088	MAIN PISTON UNIT
26	GN10021	PISTON RING
27	GN10691	BUMPER
28	HH19606	O-RING
29	GN80138	CYLINDER
30	GN10457	TRIGGER GUIDE
31	GN10437	WARNING LABEL
32	GN10015	CHECK WASHER
33	GN10016	CHECK SPRING
34	GN10017	RETAINING RING
35	BB41407	SCREW M5x8
36	GN11157	CAGE
37	KK83009	CONICAL SPRING
38	GN10043	LOCK-OUT BAR
39	GN10010	BODY
40	GN10060	INSERT NUT
41	GN70057	CONTACT ARM UNIT
42	FF31572	PARALLEL PIN 1572
43	GN10424	SPRING COLLAR
44	BB40407	SCREW M5x20
45	KK44021	SPIRAL SPRING
46	EE39609	RUBBER WASHER 1.8X6X2
47	FF21239	ROLL PIN 4X12
48	GN70083	EXHAUST COVER
49	BB40405	SCREW M5x25
50	GN10455	FUEL COVER
51	GN11179	GRIP R-EX(CH)
52	GN11180	GRIP L-EX(CH)
53	BB40408	SCREW M5x14
54	GN70129	TRIGGER SWITCH UNIT
55	KK23975	COMPRESSION SPRING
56	GN70096	TRIGGER
57	GN10460	CAM
58	GN10042	CAM BUSHING
59	GN70112	CONTROL UNIT
60	EE39172	PLANE WASHER
61	CC42404	NUT M4
62	CC49411	NUT M5
63	BB40441	SCREW M4x12
64	GN10059	ELECTRODE BLOCK
65	GN10058	ELECTRODE PLATE
66	AA01106	SCREW M3x6
67	FF31603	PARALLEL PIN 1603

ITEM No.	PART NO.	ENGLISH
68	GN10570	PUSHER
69	GN10571	LOCK PLATE
70	KK23932	COMPRESSION SPRING 3932
71	AA74403	HEX SOCKET HEAD SCREW 4X5
72	EE39721	WASHER
73	BB40822	HEX BOLT 5X9
74	GN10046	SPONGE SPACER
75	GN10440	ADJUSTER STOPPER
76	FF21221	ROLL PIN 3X25
77	GN10572	NOSE
78		
78	GN10584	TAIL COVER(CE)
79	GN10429	ADJUST DIAL
80	GN11156	CONTACT BOLT
81	GN10575	NAIL GUIDE
82	GN10576	NAIL COVER
83	GN10433	NAIL STOPPER
84	GN10434	PUSHER STOPPER
85	GN10579	TAIL HANGER
86	GN10438	CONTACT NUT
87	GN70024	BATTERY
88	GN10520	HOOK
89	HH19125	O-RING 1A 1.6X4.2
90	KK23643	COMPRESSION SPRING 3643
91	GN70128	MOTOR SWITCH UNIT
92	AA31101	SCREW M3x10
93	GN11161	SWITCH LEVER
94	GN10084	WASHER
95	FF31293	STRAIGHT PIN
96	GN10046	SPONGE SPACER
96		
97	GN70013	POWER CORD HARNESS UNIT
98	GN10083	LED LENS
99		
100	GN10085	RUBBER BUSHING
101	LL71806	STEEL BALL 3 60
102		
102	GN80184	ADAPTER CODE (CE)
103	GN70025	CHARGER BASE
104	GN10569	PUSHER HOLDER
105		
105	GN10583	MAGAZINE (CE)
106		
106	GN11711	NAME LABEL (CE)
107	KN11237	CONTACT TIP (OPTION)
108	L22/2M	NZ POWER CORD